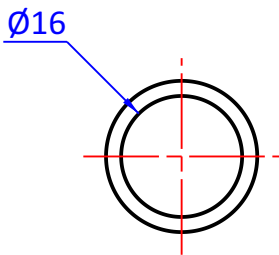
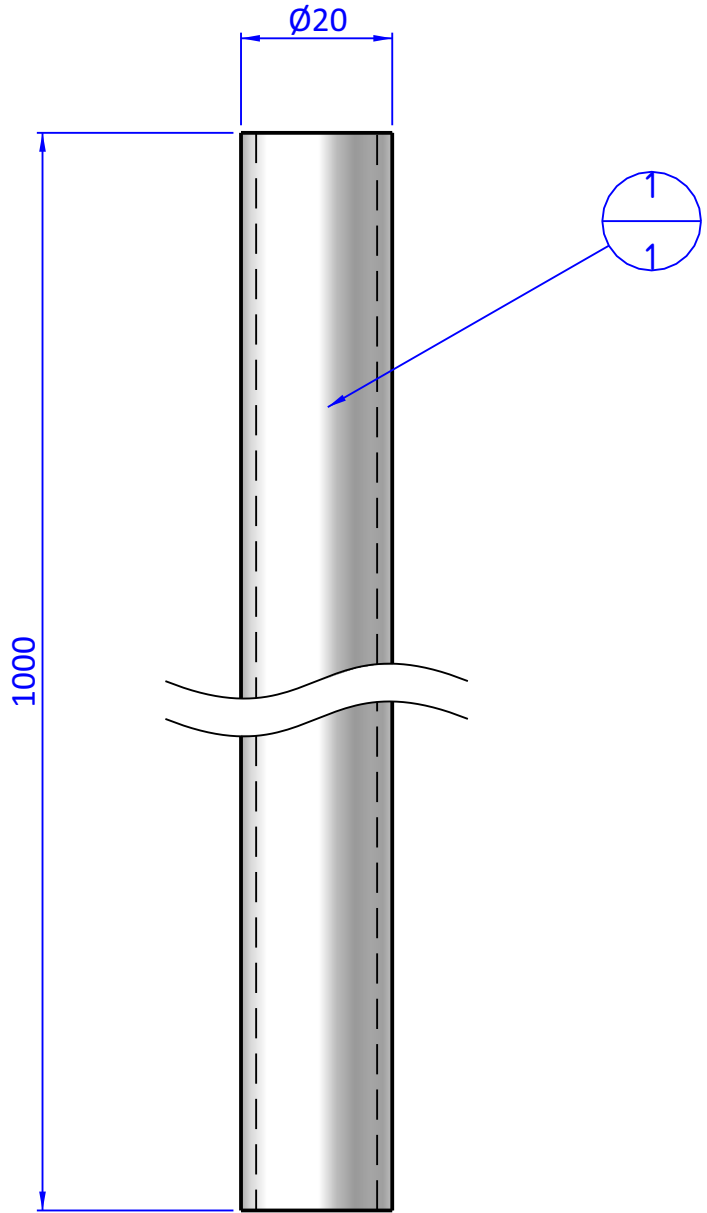

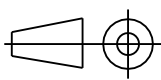


Item	Name	Q.ty
1	GAR.20.1000	1



THE PROPERTY OF THE DRAWING IS ESTABLISHED BY LAW. IT IS FORBIDDEN TO PRODUCE OR SHOW IT TO THIRD PART. WITHOUT A WRITTEN AGREEMENT.

Format A4 UNI 936-76	 FPS SERVICES AUTOMATION				DESIGNED FROM FPS Automation	REVIEW A
	GENERAL TOLERANCE UNI - ISO 2768 CLASSE f		DESCRIPTION CA.GAR.20.1000		DATE -	WEIGHT 0,306kg
					CODE CA.GAR.20.1000	